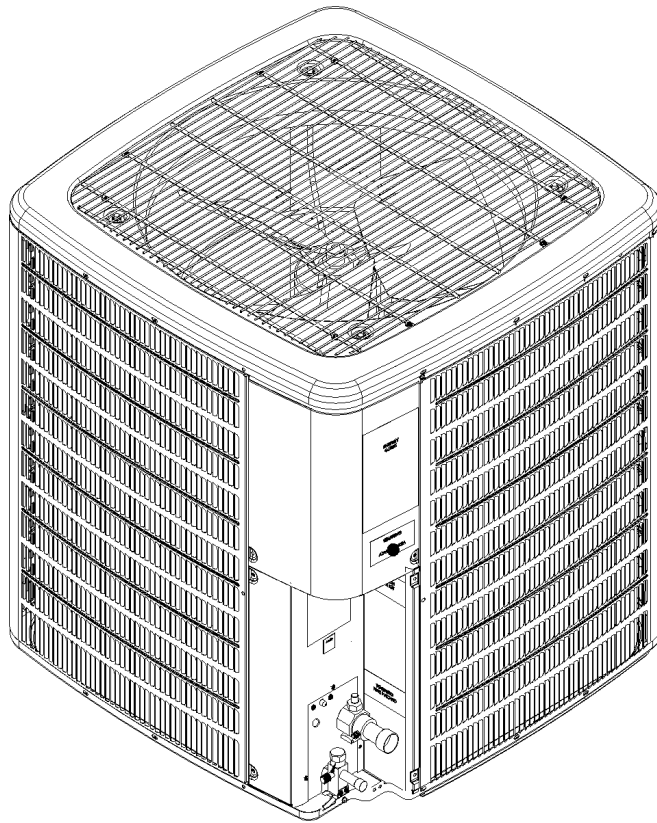


REPAIR PARTS

CE120 Condensing Unit

CE120-5C
CE120-5D



Made in the USA by:
Goodman Manufacturing Company, L.P.
2550 North Loop West, Suite 400
Houston Texas 77092

www.goodmanmfg.com www.amana-hac.com

RP-423A
September 2006

Important Information

Index

Functional Parts List	3
Illustration and Parts	4 - 9

Views shown are for parts illustrations only, not servicing procedures

Rev. A: Added model CE120-5D.

Text Codes:

AR - As Required

NA - Not Available

NS - Not Shown

00000000 - See Note

QTY - Quantity Example (QTY 3) (If Quantity not shown, Quantity = 1)

M - Model Example (M1) (If M Code not shown, then part is used on all Models)

Expanded Model Nomenclature:

Example M1 - Model#1 M2 - Model#2 M3 - Model#3

Goodman Manufacturing Company, L.P. is not responsible for personal injury or property damage resulting from improper service. Review all service information before beginning repairs.

Warranty service must be performed by an authorized technician, using authorized factory parts. If service is required after the warranty expires, Goodman Manufacturing Company, L.P. also recommends contacting an authorized technician and using authorized factory parts.

Goodman Manufacturing Company, L.P. reserves the right to discontinue, or change at any time, specifications or designs without notice or without incurring obligations. Goodman® brand products are proudly made in the USA.

For assistance within the U.S.A. contact:
Consumer Affairs Department
Goodman Manufacturing Company, L.P.
7401 Security Way
Houston, Texas 77040
877-254-4729-Telephone
713-863-2382-Facsimile

For assistance outside the U.S.A. contact:
International Division
Goodman Manufacturing Company, L.P.
7401 Security Way
Houston, Texas 77040
713-861-2500-Telephone
713-863-2382-Facsimile

Functional Parts

Part

No: **Description:**

0201R00081S	ASSY, COND
CAP200000440RP	CAPACITOR (M2)
B945673	CAPACITOR 20/440 (M1)
ZR125KCTFD950	COMPRESSOR, ZR125KCTFD250
B1360335	CONTACTOR
B1243732	CRANKCASE HEATER 460V, 75 WATT
B1219228	FILTER DRIER
B1360721	HIGH PRESSURE SWITCH
B1360719	LOW PRESSURE SWITCH
0131M00046S	MOTOR, 1 HP, 1 SP, 380, 415/460V
B1282574	VALVE, SERVICE 1 1/8"
B1282573	VALVE, SERVICE 5/8"

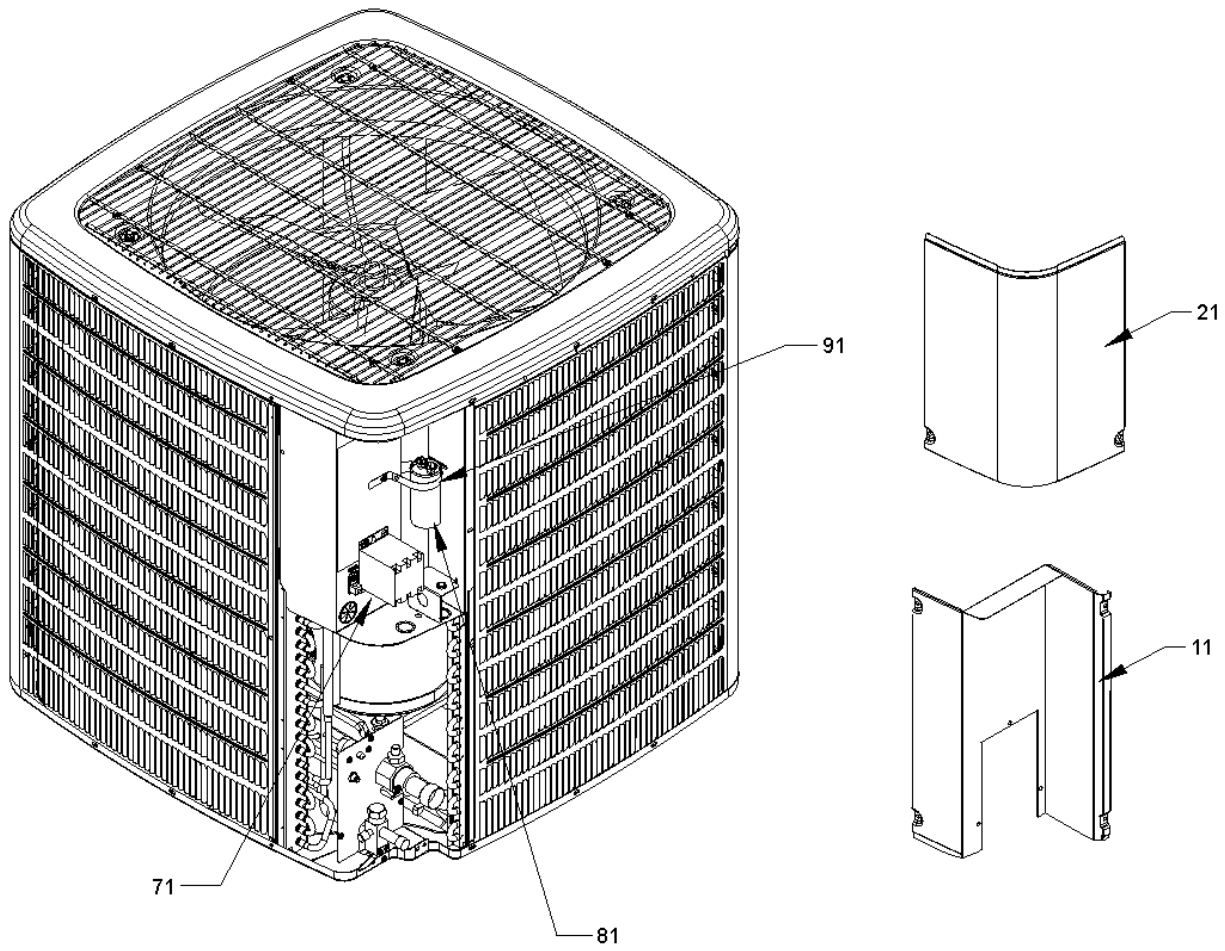
SPECIAL PARTS

IO-226A	INSTALLATION INSTRUCTIONS
0161R00009P	NAMEPLATE, GOODMAN
RP-423A	REPAIR PARTS MANUAL
B1372801	SIGHT GLASS CL90/120

Expanded Model Nomenclature

M1 - CE120-5C
M2 - CE120-5D

Control Cover/Control Box



Control Cover/Control Box

Ref. Part No: No:	Description:	Ref. Part No: No:	Description:
-------------------	--------------	-------------------	--------------

Image 1:

11	4400212PDG	PANEL, LOWER ACCESS
21	0121R00053PDG	CONTROL COVER (M2)
21	4400064PDG	CONTROL COVER (M1)
71	B1360335	CONTACTOR
81	CAP200000440RP	CAPACITOR (M2)
81	B945673	CAPACITOR 20/440 (M1)
91	4400065	CAPACITOR STRAP
NS	0161R00009P	NAMEPLATE, GOODMAN

Expanded Model Nomenclature

M1 - CE120-5C

M2 - CE120-5D

Compressor/Tubing Assembly

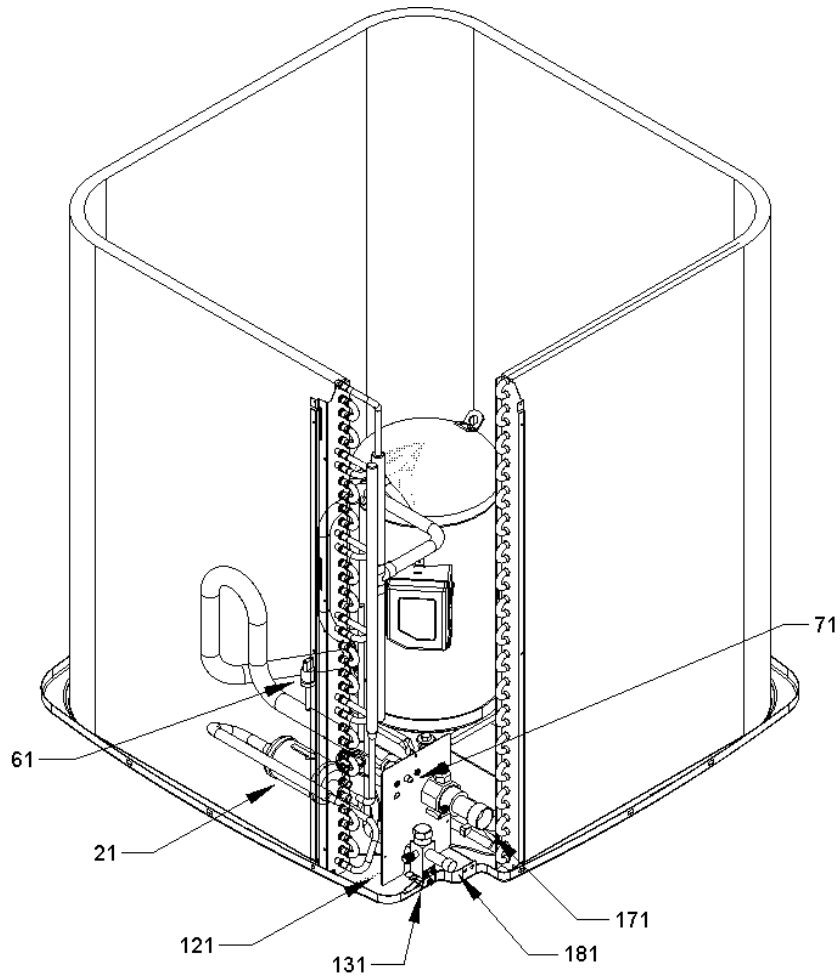


Image 1

Image 2

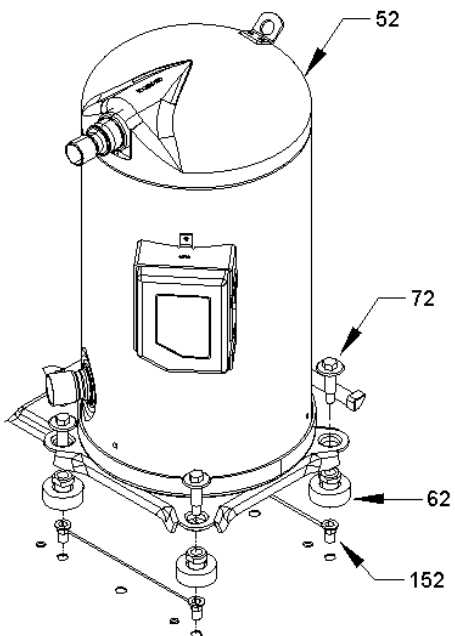
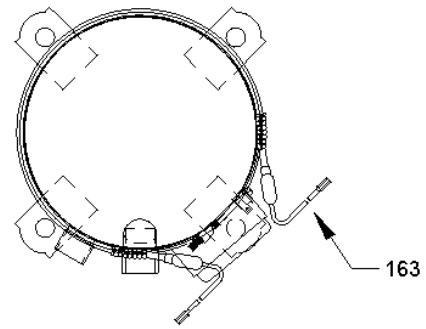


Image 3



TOP VIEW OF COMPRESSOR

Compressor/Tubing Assembly

Ref. Part No: No:	Description:	Ref. Part No: No:	Description:
-------------------	--------------	-------------------	--------------

Image 1:

21	B1219228	FILTER DRIER
61	B1360719	LOW PRESSURE SWITCH
71	B1360721	HIGH PRESSURE SWITCH
121	4400220PDG	PANEL, BALL VALVE MOUNTING
131	4400031	VALVE BRACKET
171	B1282574	VALVE, SERVICE 1 1/8"
181	B1282573	VALVE, SERVICE 5/8"

Image 2:

52	ZR125KCTFD950	COMPRESSOR, ZR125KCTFD250
62	B1339533	COMPRESSOR GROMMET (QTY 4)
72	B1393740	COMPRESSOR BOLT & SLEEVE (QTY 4)
152	B1393027	HEX NUT INSERT (QTY 4)

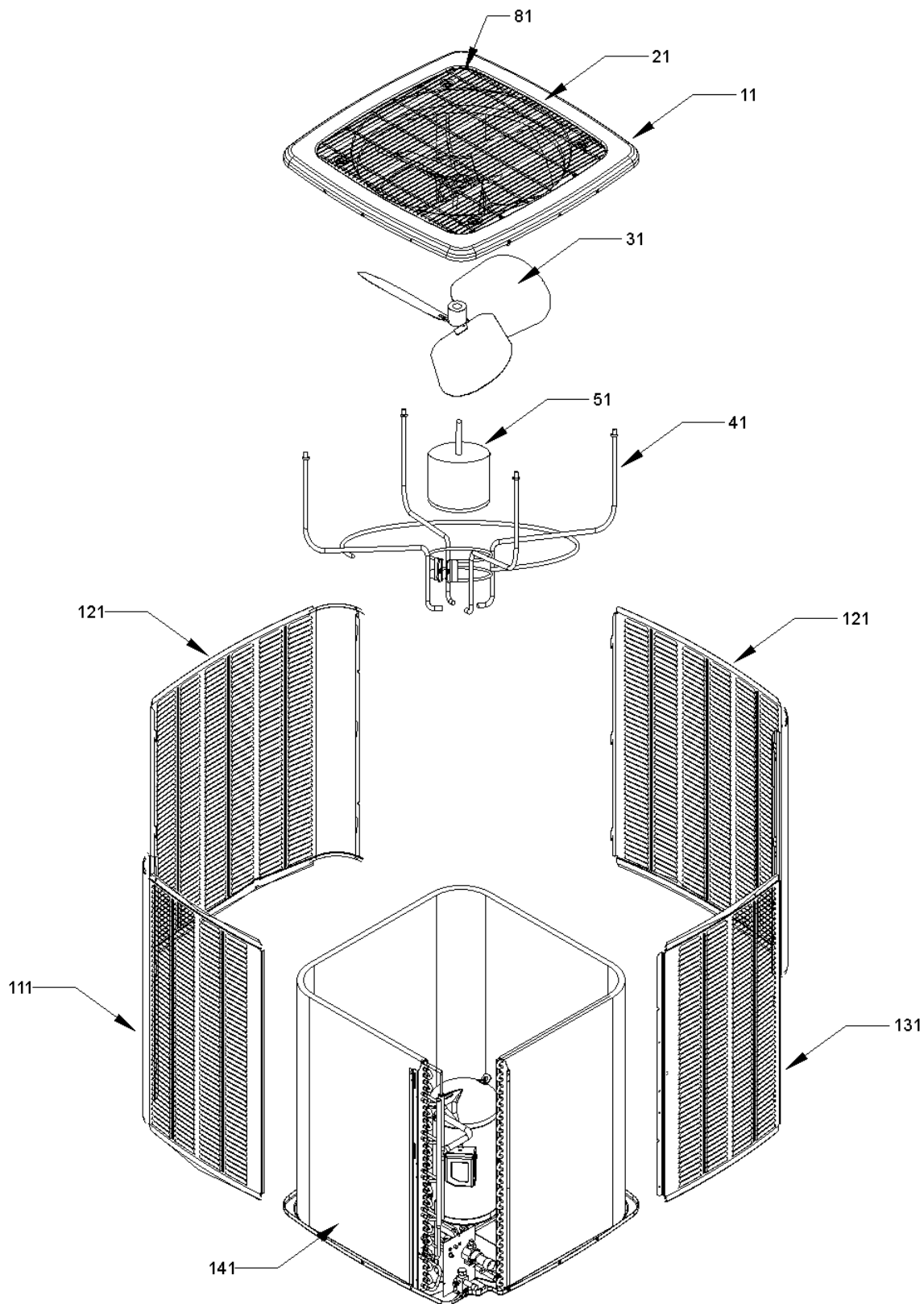
Image 3:

163	B1243732	CRANKCASE HEATER 460V, 75 WATT
-----	----------	--------------------------------

Expanded Model Nomenclature

M1 - CE120-5C
M2 - CE120-5D

Coil/Cabinet Top/Side Panels



Coil/Cabinet Top/Side Panels

Ref. Part No:	Description:	Ref. Part No:	Description:
---------------	--------------	---------------	--------------

Image 1:

11	4400094PDG	PANEL, TOP, VENTURI 35" (M1)
11	0121R00013PDG	PANEL, VENTURI 35" (M2)
21	0152R00003	GRILL, WIRE 35" TOP
31	B1086768	FAN BLADE 26"
41	0121R00003	MOTOR MOUNT BRACKET
51	0131M00046S	MOTOR, 1 HP, 1 SP, 380, 415/460V
81	B1393530	SCREW,HWH,10X1/2,A,YZD,SLOT,SR (QTY 8)
111	0121R00044PDG	PANEL, LOUVER SIDE (M2)
111	4400183PDG	PANEL, LOUVER SIDE (M1)
121	0121R00048PDG	PANEL, LOUVER SIDE (M2)
121	4400190PDG	PANEL, LOUVER SIDE (M1)
131	0121R00052PDG	PANEL, LOUVER SIDE (M2)
131	4400197PDG	PANEL, LOUVER SIDE (M1)
141	0201R00081S	ASSY, COND

Expanded Model Nomenclature

M1 - CE120-5C

M2 - CE120-5D